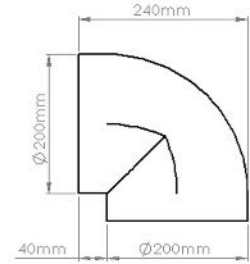
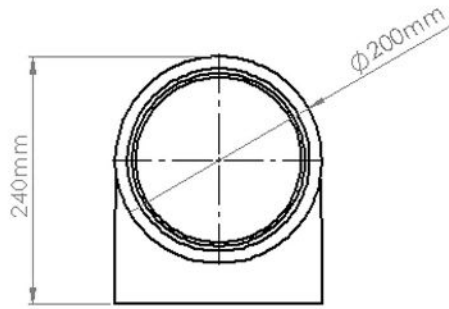




PRODUCT DATA SHEET
DUCSST-160-90B
SELF-SEAL THERMAL 90° ELBOW BEND



SPECIFICATION DETAILS

The Kair Self-Seal Thermal DUCSST-160-90B insulated fitting is manufactured from graphite impregnated expanded polystyrene (EPS) with a minimum density of 25kg/m³ and provides a free area of 20,108 mm². The DUCSST-160-90B is supplied with self-seal female couplings that allow the ducting fitted with a Duct to Fitting Connector to be plugged into the fitting apertures with a push, click and lock mechanism.

The Self-Seal female couplings are manufactured from prime High Impact Polystyrene and a Thermoplastic Elastomer Dynamic Sealing Gasket.

The EPS material is fully tested to meet the thermal conductivity requirements of BASF-EN13163 to assist with the prevention of condensation and is flame retardant to DIN 4102-B1.

Verplas Self-Seal Thermal Fittings exceed the current UK Domestic Ventilation Regulation requirements of Part F 2010 Domestic Ventilation Compliance Guide and NHBC Guidance Document Chapter 3.2 and provide a thermal conductivity of 0.03 W/mK which at 20mm thickness gives a thermal resistance or R-value of 0.666 m²K/W.

The patent pending push, click and lock mechanism provides a low leakage solution which exceeds the requirements set out in DW/143 Class A leakage test and DW/154 ductwork standards.

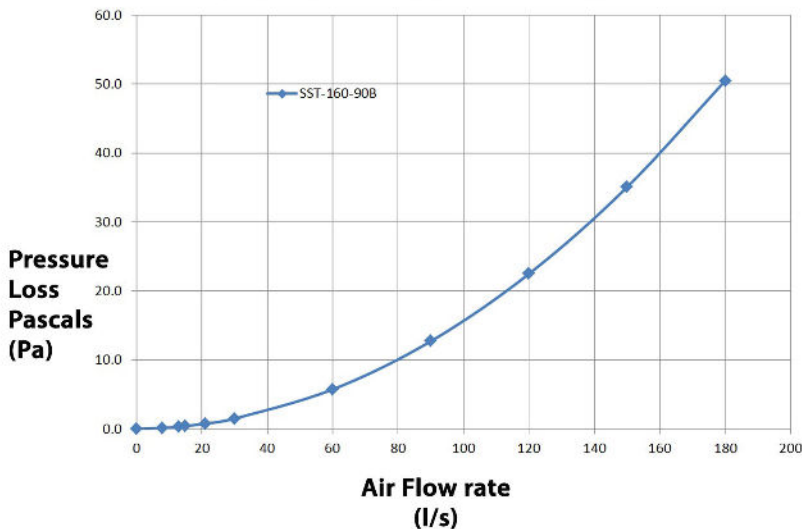
The Self-Seal Thermal is compliant with the requirements outlined in the Energy performance characteristics database for use in SAP with MVHR and MEV supply and extract ventilation systems.

Manufacturer:	Kair Ventilation
Part Number:	DUCSST-160-90B
Size:	160mm Diameter
For use with:	Kair System 160
Box quantity:	6
Individual Weight:	225g
Colour:	Grey
Thermal Resistance:	0.666 m ² K/W
Thermal Conductivity:	0.03 W/mK

MAX/MIN OPERATING TEMPERATURES

+ 60°C to - 15°C

PERFORMANCE CURVE



AIRFLOW	RESISTANCE
8 l/s	0.10 pa
13 l/s	0.30 pa
21 l/s	0.80 pa
30 l/s	1.50 pa
60 l/s	5.70 pa
120 l/s	22.50 pa

160mm 2m Thermal Duct

DUCSST-160-2M

160mm 1m Thermal Duct

DUCSST-160-1M

160mm Thermal 45° Elbow Bend

DUCSST-160-45B

160mm Thermal Equal T Piece

DUCSST-160-TP

160mm Thermal Condensation Trap

DUCSST-160-TRAP